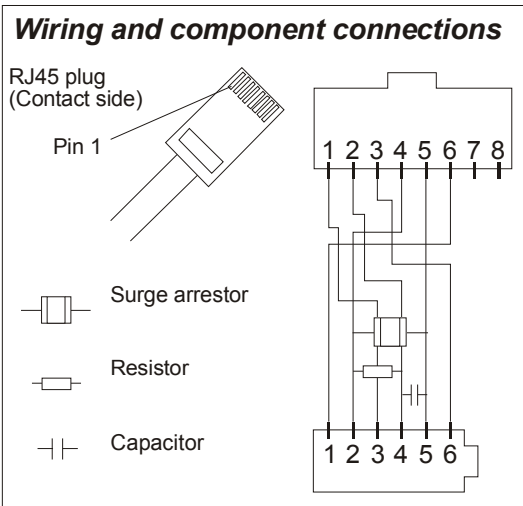


Combined Voice / Data System

Voice adaptors are used to convert RJ45 style structured cabling network outlets to use with standard British Telecom style telephony equipment e.g. Facsimile machines and plain ordinary telephones (POTS).

Austin Taylor offer 3 standard variants: PSTN Master, PBX Master and Secondary, each containing relevant mastering components. Wiring and component connections are summarised below.



Technical Summary

| | |
|------------|---|
| Dimensions | 66x22x21mm |
| Length OAL | 190mm |
| Material | ABS |
| COLOUR | Bright white (BT 1P) |
| Socket | BT style 631 (6 contact) gold plated |
| Components | PSTN Master (equiv to Ljx/1A) Capacitor, surge arrester & resistor |
| | PBX Master (equiv to Ljx/2A) Capacitor, surge arrester & resistor |
| | Secondary (equiv to Ljx/3A) No mastering components |

Ordering Information

| Description | Part No. | Carton Qty |
|------------------------------|------------|------------|
| RJ45 to BT style PSTN Master | 9ADA000001 | 100 |
| RJ45 to BT style PBX Master | 9ADA000002 | 100 |
| RJ45 to BT style Secondary | 9ADA000003 | 100 |

Austin Taylor Communications Ltd
Bethesda, Gwynedd, LL57 3BX, UK

A subsidiary of
Communications Systems Inc.

UK Tel: 01248 602555
UK Fax: 01248 600370

Int. Tel: +44 1248 602555
Int. Fax: +44 1248 600370

<http://www.austin-taylor.co.uk>



BS EN ISO 9001
Reg No: Q5117